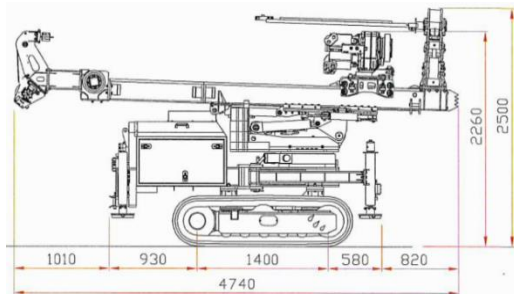
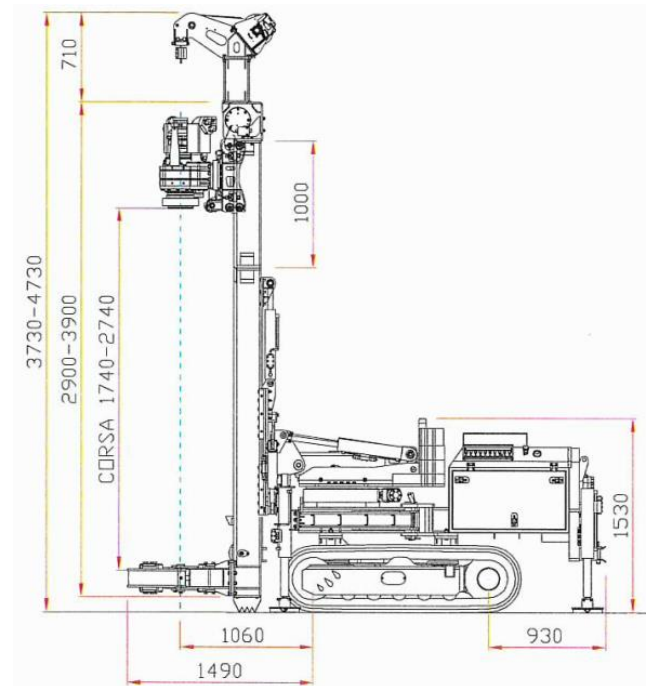


Operating Details :

Description	Dimension
Maximum Pile Depth	20.0m
Maximum Pile Diameter	450mm
Mast Height	3.8 – 4.8m
Rig Length	3.9m
Rig Width	2.2m
Rig Weight	5.2t

Transport Details :

Description	Dimension
Transportation Length	4.8m
Transportation Height	2.5m
Transportation Width	1.1m



Track Pressures* :

Operation	BRE Load (case)	Length (m)	Width (m)	UDL (kN/m ²)
Standing	1	1.34	0.25	78
Travelling	1	1.34	0.25	78
Handling	1	1.34	0.25	81
Penetrating	2			
Extracting	2	0.40	0.25	200

(*further details available on request)