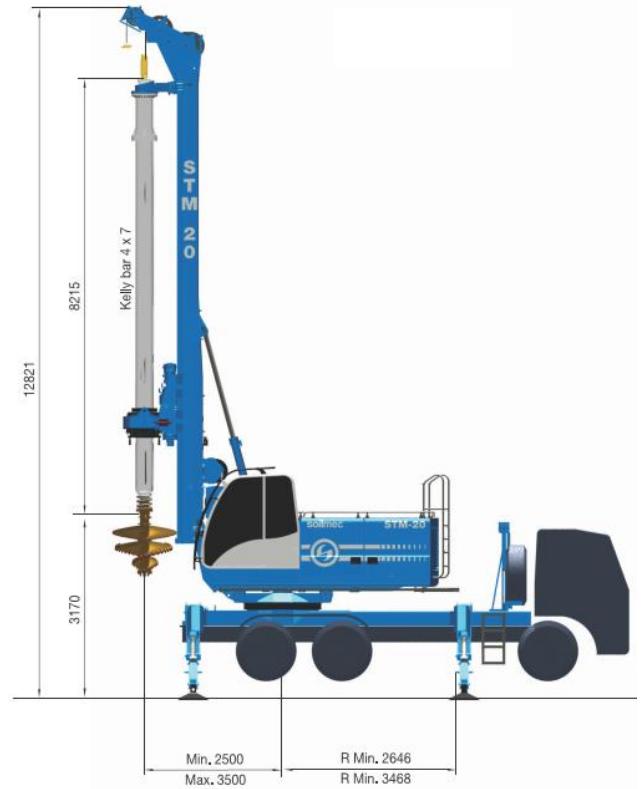
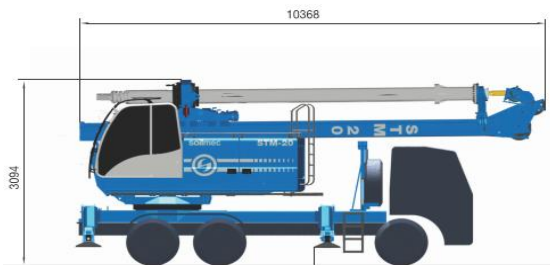


Operating Details :

Description	Dimension
Maximum Pile Depth	30.0m
Maximum Pile Diameter	1800mm
Maximum Casing Length	10.0m
Mast Height	12.9m
Rig Length	7.0m
Rig Width	4.3m
Rig Weight	20.2t

Transport Details :

Description	Dimension
Transportation Length	10.4m
Transportation Height	3.1m
Transportation Width	2.5m



Track Pressures* :

Operation	BRE Load (case)	Width (m)	UDL (kN/m ²)
Standing	1		
Travelling	1		
Handling	1	0.6 / 0.8	510 / 560
Penetrating	2		
Extracting	2	0.6 / 0.8	290 / 315

(Note – rig operates suspended on 4no outriggers, using enlarged spreader plates)