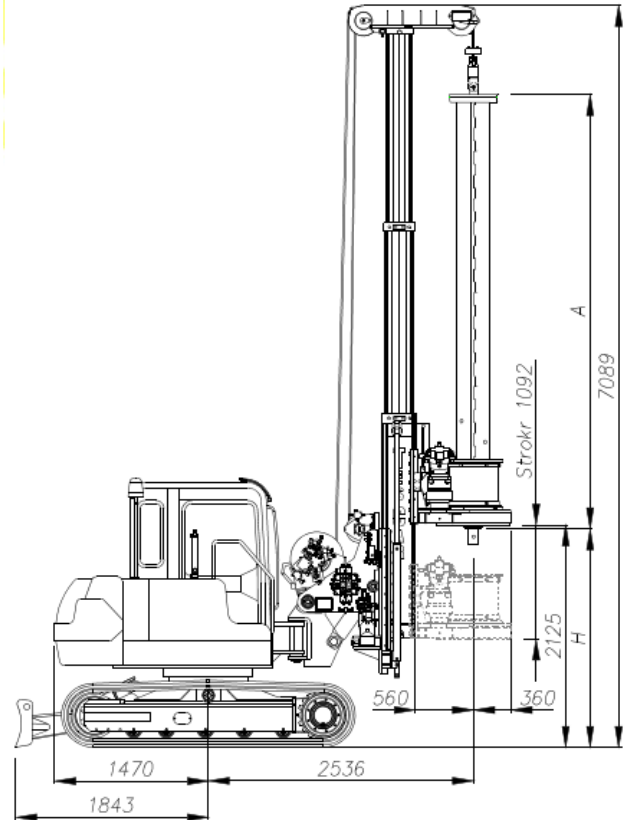
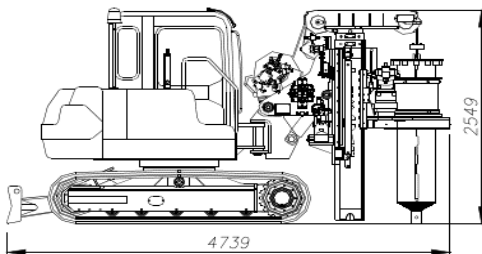


Operating Details :

Description	Dimension
Maximum Pile Depth	22.0m
Maximum Pile Diameter	750mm
Maximum Casing Length	10.0m
Mast Height	5.9 – 8.9m
Rig Length	4.8m
Rig Width	2.2m
Rig Weight	12.0t

Transport Details :

Description	Dimension
Transportation Length	4.8m
Transportation Height	2.6m
Transportation Width	2.2m



Track Pressures* :

Operation	BRE Load (case)	Length (m)	Width (m)	UDL (kN/m ²)
Standing	1	1.19	0.45	164
Travelling	1	1.19	0.45	164
Handling	1	1.48	0.45	103
Penetrating	2	XX	XX	XX
Extracting	2	1.01	0.45	168

(*further details available on request)